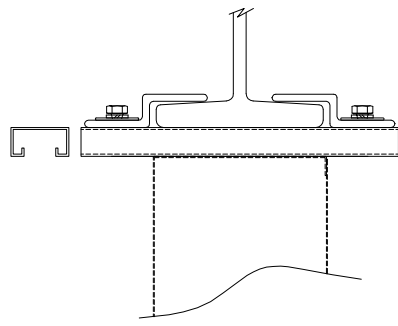
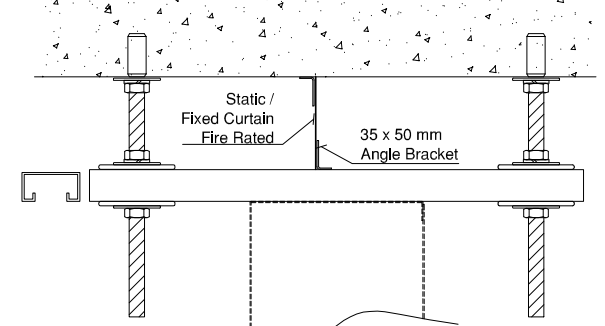


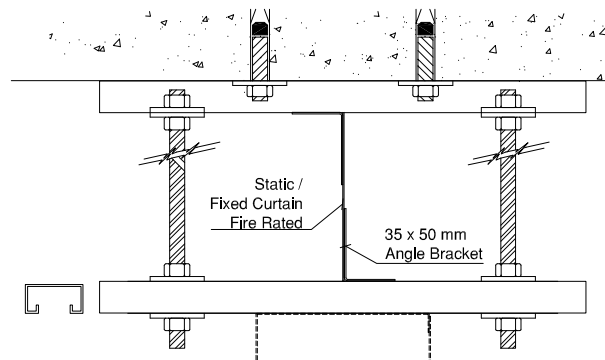
BOX FIXING OPTIONS



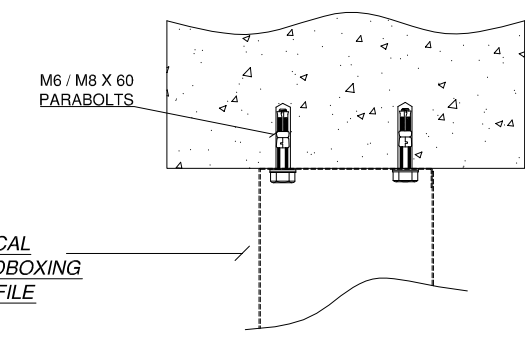
'I BEAM' FIXING



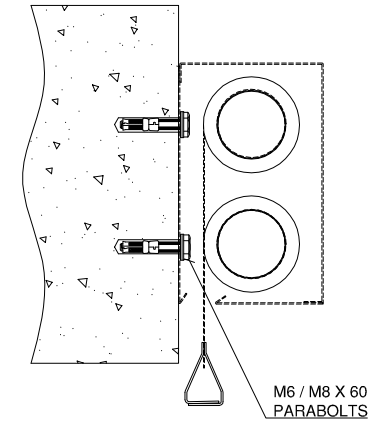
'DROP ROD' INTO SLAB FIXING



'DROP ROD' TO UNISTRUT FIXING



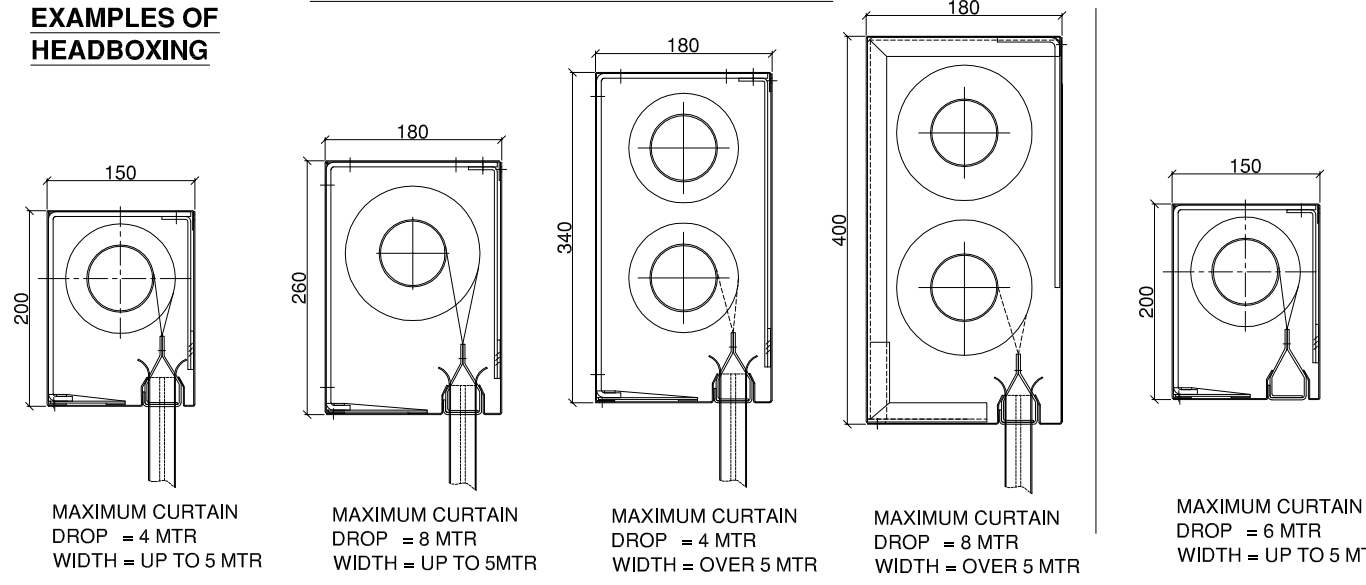
'TOP' FIXING



'FACE' FIXING

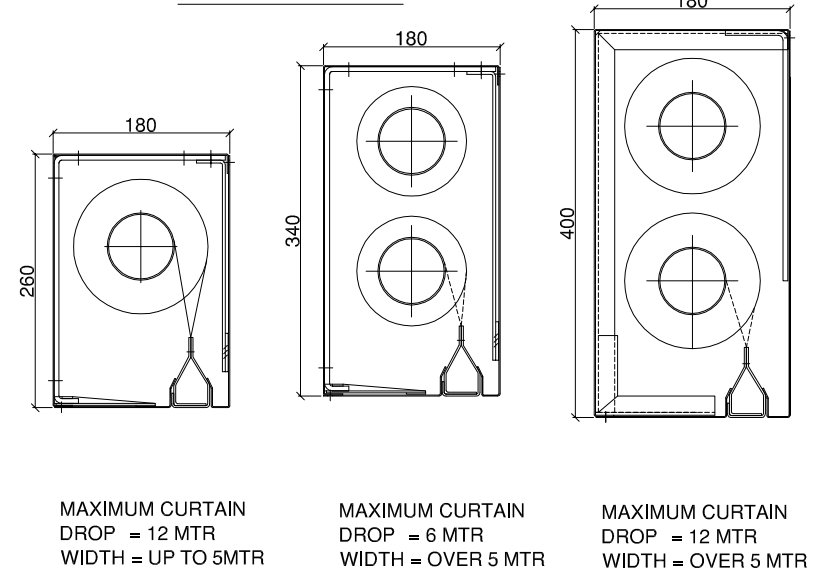
TYPICAL HEADBOXING PROFILE

SMOKE AND FIRE CURTAIN WITH GUIDE



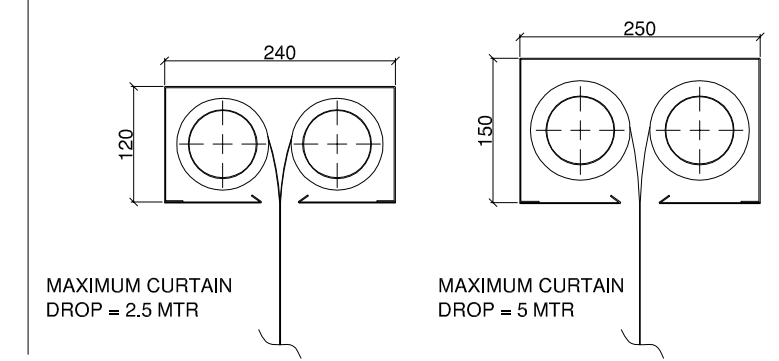
MAXIMUM CURTAIN DROP = 4 MTR WIDTH = UP TO 5 MTR
 MAXIMUM CURTAIN DROP = 8 MTR WIDTH = UP TO 5 MTR
 MAXIMUM CURTAIN DROP = 4 MTR WIDTH = OVER 5 MTR
 MAXIMUM CURTAIN DROP = 8 MTR WIDTH = OVER 5 MTR
 MAXIMUM CURTAIN DROP = 6 MTR WIDTH = UP TO 5 MTR

SMOKE CURTAIN



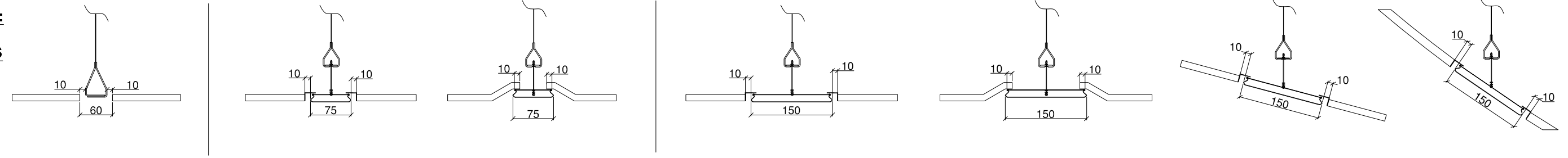
MAXIMUM CURTAIN DROP = 12 MTR WIDTH = UP TO 5 MTR
 MAXIMUM CURTAIN DROP = 6 MTR WIDTH = OVER 5 MTR
 MAXIMUM CURTAIN DROP = 12 MTR WIDTH = OVER 5 MTR

EXAMPLES OF SMOKE SPECIALS (ON APPLICATION)

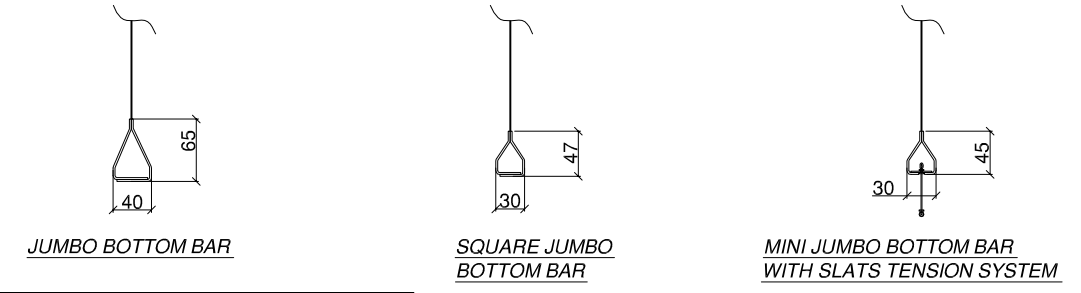


MAXIMUM CURTAIN DROP = 2.5 MTR
 MAXIMUM CURTAIN DROP = 5 MTR

EXAMPLES OF: CEILING & BOTTOM BARS INTERFACE OPTIONS



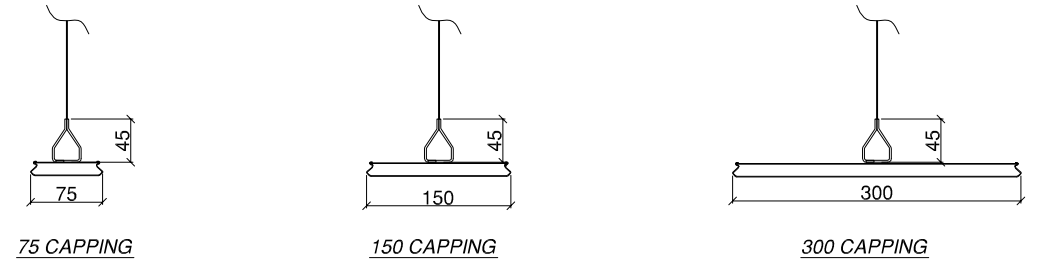
BOTTOM BARS OPTIONS



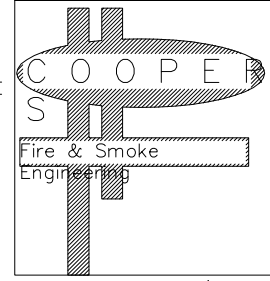
JUMBO BOTTOM BAR
SQUARE JUMBO BOTTOM BAR
MINI JUMBO BOTTOM BAR WITH SLATS TENSION SYSTEM

CAPPING STRIP OPTIONS

ALTERNATIVE TRIM FINISH AVAILABLE FOR USE WITH (SLATS) MINI JUMBO BOTTOM BAR. SOLID OR PERFORATED FINISH. STANDARD COLOUR (9010).



75 CAPPING
150 CAPPING
300 CAPPING



The Tanneries, Brockhampton Lane
 Havant, Hampshire PO9 1JB
 England.UK.
 Tel : +44(023) 9245 4405
 Fax: +44(023) 9249 2732
 E-mail: coopergroup@msn.com
 Web Site: www.coopersblind.co.uk
 Coopers Blinds Limited,
 Koolshade(UK)Limited,
 FireMaster Limited
 are Cooper Group Companies.

© COOPER GROUP LIMITED 1997
 ALL RIGHTS RESERVED. THIS
 DESIGN MAY NOT BE
 REPRODUCED IN ANY
 MATERIAL FORM, INCLUDING
 ELECTRONICALLY WITHOUT
 THE WRITTEN PERMISSION OF
 THE COPYRIGHT NAMES.

ISSUE	MODIFICATIONS	DATE	BY	SCALE: N.T.S.	CHECKED	APPROVED
B	BBAR MODIFIED	30/11/01	ML	DRAWN BY M.L.		
C	BBAR & TITLE BLOCK MODIFIED	06/12/01	ML			
D	HEADBOXING CHANGED	04/09/07	JR			

TITLE: SMOKE CURTAIN, BOX FIXING, HEADBOXING, CEILING INTERFACE, BOTTOM BAR AND CAPPING VARIATIONS

DRG No: 747AKK
 ISSUE: D
 DATE: 06/12/01